

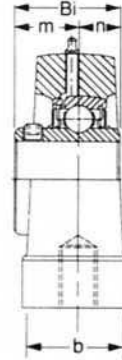
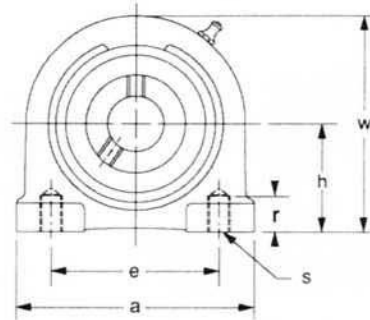
# BEARING UNITS



## TAP BASE PILLOW BLOCKS

### UCTB 200 Series

Normal Duty  
Set Screw Locking  
Inch Bolt Holes



BEARING UNITS

Unit No.	Shaft Dia.		Dimensions inch / mm										Bearing No.	Housing No.	Weight Lbs kg
	In.	mm	h	a	e	b	S	r	w	Bi	n	m			
	UCTB 201-8 202-10 204 204-12	1/2 5/8 3/4	20	1-5/16 33.3	2-7/8 73	2 50.8	1-1/2 38.1	3/8-16	1/2 12.7	2-9/16 65.1	1.220 31.0	0.500 12.7			
UCTB 205 205-14 205-15 205-16	7/8 15/16 1	25	1-7/16 36.5	3 76.2	2 50.8	1-1/2 38.1	3/8-16	1/2 12.7	2-13/16 71.4	1.339 34.0	0.563 14.3	25/32 19.7	UC 205 205-14 205-15 205-16	TB205	1.76 0.8
UCTB 206 206-17 206-18 206-19 206-20	1-1/16 1-1/8 1-3/16 1-1/4S	30	1-11/16 42.9	4 101.6	3 76.2	1-1/2 38.1	7/16-14	5/8 16	3-3/8 85.7	1.500 38.1	0.626 15.9	7/8 22.2	UC 206 206-17 206-18 206-19 206-20	TB206	2.64 1.2
UCTB 207 207-20 207-21 207-22 207-23	1-1/4 1-5/16 1-3/8 1-7/16	35	1-7/8 47.6	4-1/4 107.9	3-1/4 82.5	1-7/8 47.6	1/2-13	3/4 19	3-3/4 95.3	1.689 42.9	0.689 17.5	1 25.4	UC 207 207-20 207-21 207-22 207-23	TB207	3.74 1.7
UCTB 208 208-24 208-25	1-1/2 1-9/16	40	1-15/16 49.2	4-5/8 117.5	3-1/2 88.9	1-7/8 47.6	1/2-13	3/4 19	3-15/16 100.0	1.937 49.2	0.748 19.0	1-3/16 30.2	UC 208 208-24 208-25	TB208	4.40 2.0
UCTB 209 209-26 209-27 209-28	1-5/8 1-11/16 1-3/4	45	2-1/8 54.0	5 127.0	3-3/4 95.3	2 50.8	1/2-13	3/4 19	4-1/4 107.9	1.937 49.2	0.748 19.0	1-3/16 30.2	UC 209 209-26 209-27 209-28	TB209	4.84 2.2
UCTB 210 210-30 210-31 210-32	1-7/8 1-15/16 2S	50	2-1/4 57.1	5-1/2 139.7	4 101.6	2 50.8	5/8-11	7/8 22	4-5/8 117.5	2.031 51.6	0.748 19.0	1-9/32 32.6	UC 210 210-30 210-31 210-32	TB210	6.38 2.9