

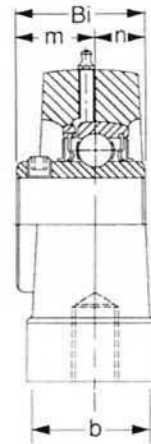
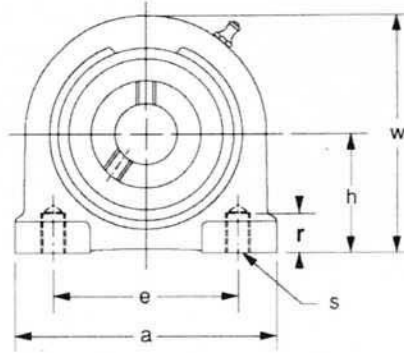
BEARING UNITS



TAP BASE PILLOW BLOCKS

UCPA 200 Series

Normal Duty
Set Screw Locking
Metric Bolt Holes



Unit No.	Shaft Dia.		Dimensions inch / mm										Bearing No.	Housing No.	Weight Lbs kg	
	In.	mm	h	a	e	b	S	r	g	w	Bi	n				m
UCPA 201-8	1/2													UC 201-8		
202-10	5/8													202-10		
204		20	1-3/16	3	1-3/64	1-1/2	M10x1.5	15/32	7/16	2-7/16	1.220	0.500	23/32	204	PA204	1.32
204-12	3/4		30.2	76.2	52	38		12	11.1	61.9	31	12.7	18.3	204-12		0.6
UCPA 205		25												UC 205		
205-14	7/8													205-14		
205-15	15/16		1-7/16	3-5/16	2-13/64	1-1/2	M10x1.5	19/32	15/32	2-27/32	1.339	0.563	25/32	205-15	PA205	1.76
205-16	1		36.5	84.1	56	38		15	11.9	72.2	34	14.3	19.7	205-16		0.8
UCPA 206		30												UC 206		
206-17	1-1/16													206-17		
206-18	1-1/8		1-11/16	3-43/64	2-19/32	1-7/8	M14x2.0	23/32	15/32	3-5/16	1.500	0.626	7/8	206-18	PA206	2.64
206-19	1-3/16		42.8	93.7	66	48		18	11.9	84.1	38.1	15.9	22.2	206-19		1.2
206-20	1-1/4S													206-20		
UCPA 207		35												UC 207		
207-20	1-1/4													207-20		
207-21	1-5/16		1-7/8	4-11/32	3-5/32	1-7/8	M14x2.0	25/32	1/2	3-3/4	1.689	0.689	1	207-21	PA207	3.74
207-22	1-3/8		47.6	110.3	80	48		20	12.7	95.3	42.9	17.5	25.4	207-22		1.7
207-23	1-7/16													207-23		
UCPA 208		40												UC 208		
208-24	1-1/2		1-15/16	4-9/16	3-5/16	2-1/8	M14x2.0	25/32	1/2	3-15/16	1.937	0.748	1-3/16	208-24	PA208	4.18
208-25	1-9/16		49.2	115.9	84	54		20	12.7	100.0	49.2	19	30.2	208-25		1.9
UCPA 209		45												UC 209		
209-26	1-5/8													209-26		
209-27	1-11/16		2-9/64	4-23/32	3-35/64	2-1/8	M14x2.0	31/32	1/2	4-1/4	1.937	0.748	1-3/16	209-27	PA209	4.84
209-28	1-3/4		54.4	119.8	90	54		25	12.7	107.9	49.2	19	30.2	209-28		2.2
UCPA 210		50												UC 210		
210-30	1-7/8		2-1/4	5-1/8	3-45/64	2-3/8	M16x2.0	31/32	9/16	4-9/16	2.031	0.748	1-9/32	210-30	PA210	5.72
210-31	1-15/16		57.2	130.2	94	60		25	14.3	115.9	51.6	19	32.6	210-31		2.6
210-32	2S													210-32		