

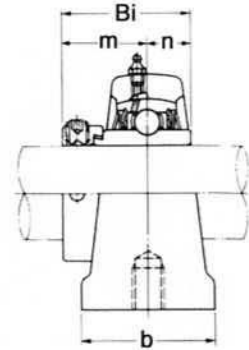
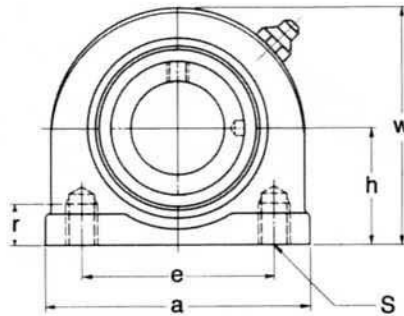
BEARING UNITS



TAP BASE PILLOW BLOCKS

HCPA 200 Series

Normal Duty
Eccentric Collar Locking
Metric Bolt Holes



Unit No.	Shaft Dia.		Dimensions inch / mm										Bearing No.	Housing No.	Weight Lbs kg				
	In.	mm	h	a	e	b	S	r	g	w	Bi	n				m			
HCPA 201-8	1/2																		
202-10	5/8		1-3/16	3	1-3/64	1-1/2	M10x1.5	15/32	7/16	2-7/16	1.713	0.669	1-3/64	HC 201-8					
204		20	30.2	76.2	52	38		12	11.1	61.9	43.5	17	26.5	202-10	PA204	1.41	0.64		
204-12	3/4													204					
														204-12					
HCPA 205		25												HC 205					
205-14	7/8		1-7/16	3-5/16	2-13/64	1-1/2	M10x1.5	19/32	15/32	2-27/32	1.744	0.685	1-1/16	205-14	PA205	1.85	0.84		
205-15	15/16		36.5	84.1	56	38		15	11.9	72.2	44.3	17.4	26.9	205-15					
205-16	1													205-16					
HCPA 206		30												HC 206					
206-17	1-1/16		1-11/16	3-43/64	2-19/32	1-7/8	M14x2.0	23/32	15/32	3-5/16	1.902	0.717	1-3/16	206-17	PA206	2.86	1.3		
206-18	1-1/8		42.8	93.7	66	48		18	11.9	84.1	48.3	18.2	30.1	206-18					
206-19	1-3/16													206-19					
206-20	1-1/4S													206-20					
HCPA 207		35												HC 207					
207-20	1-1/4		1-7/8	4-11/32	3-5/32	1-7/8	M14x2.0	25/32	1/2	3-3/4	2.012	0.740	1-17/64	207-20	PA207	4.00	1.82		
207-21	1-5/16		47.6	110.3	80	48		20	12.7	95.3	51.1	18.8	32.3	207-21					
207-22	1-3/8													207-22					
207-23	1-7/16													207-23					
HCPA 208		40												HC 208					
208-24	1-1/2		1-15/16	4-9/16	3-5/16	2-1/8	M14x2.0	25/32	1/2	3-15/16	2.217	0.843	1-3/8	208-24	PA208	4.62	2.1		
208-25	1-9/16		49.2	115.9	84	54		20	12.7	100.0	56.3	21.4	34.9	208-25					
HCPA 209		45												HC 209					
209-26	1-5/8		2-9/64	4-23/32	3-35/64	2-1/8	M14x2.0	31/32	1/2	4-1/4	2.217	0.843	1-3/8	209-26	PA209	5.17	2.35		
209-27	1-11/16		54.4	119.8	90	54		25	12.7	107.9	56.3	21.4	34.9	209-27					
209-28	1-3/4													209-28					
HCPA 210		50												HC 210					
210-30	1-7/8		2-1/4	5-1/8	3-45/64	2-3/8	M16x2.0	31/32	9/16	4-9/16	2.469	0.969	1-27/32	210-30	PA210	6.60	3.0		
210-31	1-15/16		57.2	130.2	94	60		25	14.3	115.9	62.7	24.6	46.8	210-31					
210-32	2S													210-32					