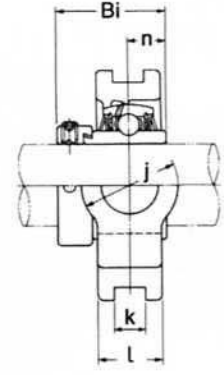
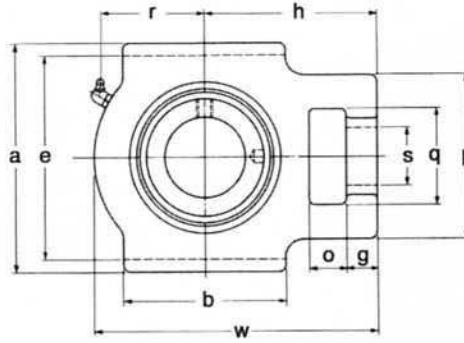


BEARING UNITS



TAKE-UP UNITS
HCT 200 Series
 Normal Duty
 Eccentric Collar Locking
 Narrow Slot



BEARING
UNITS

Unit No.	Shaft Dia.		Dimensions inch / mm															Bearing No.	Housing No.	Weight Lbs / kg	
	In.	mm	o	g	p	q	s	b	k	e	a	w	l	j	r	h	Bi				n
HCT 201-8	1/2																		HC 201-8		
202-10	5/8																		202-10		
204		20	5/8	13/32	2	1-1/4	3/4	2	15/32	3	3-1/2	3-11/16	13/16	1-1/4	1-19/64	2-13/32	1.713	0.669	204	T 204	1.76
204-12	3/4																		204-12		0.80
HCT 205		25																	HC 205		
205-14	7/8																		205-14		
205-15	15/16		5/8	13/32	2	1-1/4	3/4	2	15/32	3	3-1/2	3-13/16	15/16	1-1/4	1-3/8	2-7/16	1.744	0.685	205-15	T 205	1.98
205-16	1																		205-16		0.90
HCT 206		30																	HC 206		
206-17	1-1/16																		206-17		
206-18	1-1/8		5/8	13/32	2-7/32	1-29/64	7/8	2-1/4	15/32	3-1/2	4-1/64	4-7/16	1-3/32	1-29/64	1-11/16	2-3/4	1.902	0.717	206-18	T 206	3.12
206-19	1-3/8																		206-19		1.42
206-20	1-1/4																		206-20		
HCT 207		35																	HC 207		
207-20	1-1/4																		207-20		
207-21	1-5/16		5/8	1/2	2-33/64	1-29/64	7/8	2-33/64	15/32	3-1/2	4-1/64	5-5/64	1-3/16	1-29/64	2	3-5/64	2.012	0.740	207-21	T 207	3.74
207-22	1-3/8																		207-22		1.70
207-23	1-7/16																		207-23		
HCT 208		40																	HC 208		
208-24	1-1/2		3/4	5/8	3-9/32	1-59/64	1-3/16	3-9/32	5/8	4-1/64	4-1/2	5-11/16	1-19/64	1-59/64	2-7/32	3-15/32	2.217	0.843	208-24	T 208	5.50
208-25	1-9/16																		208-25		2.50
HCT 209		45																	HC 209		
209-26	1-5/8																		209-26		
209-27	1-11/16		3/4	5/8	3-9/32	1-59/64	1-3/16	3-9/32	5/8	4-1/64	4-19/32	5-23/32	1-3/8	1-59/64	2-1/4	3-15/32	2.217	0.843	209-27	T 209	5.83
209-28	1-3/4																		209-28		2.65
HCT 210		50																	HC 210		
210-30	1-7/8																		210-30		
210-31	1-15/16		3/4	5/8	3-9/32	1-59/64	1-3/16	3-25/64	5/8	4-1/64	4-19/32	5-15/16	1-29/64	1-59/64	2-21/64	3-5/8	2.469	0.969	210-31	T 210	6.16
210-32	25																		210-32		2.80
HCT 211		55																	HC 211		
211-32	2																		211-32		
211-34	2-1/8		31/32	3/4	4-1/64	2-33/64	1-3/8	3-3/4	7/8	5-1/8	5-3/4	6-23/32	1-1/2	2-33/64	2-9/16	4-11/64	2.811	1.091	211-34	T 211	9.68
211-35	2-3/16																		211-35		4.40
HCT 212		60																	HC 212		
212-36	2-1/4																		212-36		
212-38	2-3/8		1-1/4	3/4	4-1/64	2-33/64	1-3/8	4-1/64	7/8	5-1/8	5-3/4	7-5/8	1-21/32	2-33/64	2-61/64	4-11/16	3.059	1.217	212-38	T 212	11.22
212-39	2-7/16																		212-39		5.10
HCT 213		65																	HC 213		
213-40	2-1/2		1-1/4	13/16	4-3/8	2-3/4	1-5/8	4-49/64	1-1/32	5-15/16	6-9/16	8-13/16	1-3/4	2-3/4	3-7/16	5-25/64	3.374	1.343	213-40	T 213	15.73
HCT 214		70																	HC 214		
214-43	2-11/16																		214-43		
214-44	2-3/4		1-1/4	13/16	4-3/8	2-3/4	1-5/8	4-49/64	1-1/32	5-15/16	6-9/16	8-13/16	1-13/16	2-3/4	3-7/16	5-25/64	3.374	1.343	214-44	T 214	16.06
HCT 215		75																	HC 215		
215-47	2-15/16																		215-47		
215-48	3		1-1/4	13/16	4-3/8	2-3/4	1-5/8	4-49/64	1-1/32	5-15/16	6-9/16	8-1/8	1-7/8	2-3/4	3-5/8	5-1/2	3.626	1.469	215-48	T 215	17.82