

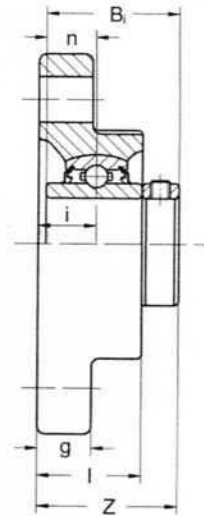
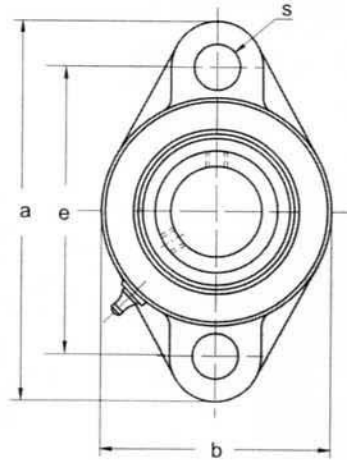
# BEARING UNITS



## TWO BOLT FLANGE UNITS

### UCFL 200 Series

Normal Duty  
Set Screw Locking



BEARING UNITS

Unit No.	Shaft Dia.		Dimensions inch / mm									Bolt Size	Bearing No.	Housing No.	Weight Lbs kg		
	In.	mm	a	e	i	g	l	s	b	z	Bi					n	
UCFL 201-8	1/2																
202-10	5/8		4-7/16	3-35/64	19/32	7/16	1	15/32	2-3/8	1-5/16	1.220	0.500	M10	UC 201-8			
204-12	3/4		113	90	15	11	25.5	12	60	33.3	31	12.7	3/8	202-10	FL204	1.10	0.5
204		20												204-12			
204														204			
UCFL 205		25												UC 205			
205-14	7/8		5-1/8	3-57/64	5/8	1/2	1-1/16	5/8	2-11/16	1-13/32	1.339	0.563	M14	205-14	FL205	1.32	0.6
205-15	15/16		130	99	16	13	27	16	68	35.7	34	14.3	1/2	205-15			
205-16	1													205-16			
UCFL 206		30												UC 206			
206-17	1-1/16													206-17	FL206	1.98	0.9
206-18	1-1/8		5-13/16	4-19/32	23/32	1/2	1-1/4	5/8	3-5/32	1-37/64	1.500	0.626	M14	206-18			
206-19	1-3/16		148	117	18	13	31	16	80	40.2	38.1	15.9	1/2	206-19			
206-20	1-1/4													206-20			
UCFL 207		35												UC 207			
207-20	1-1/4		6-11/32	5-1/8	3/4	19/32	1-11/32	5/8	3-35/64	1-3/4	1.689	0.689	M14	207-20	FL207	2.64	1.2
207-21	1-5/16		161	130	19	15	34	16	90	44.4	42.9	17.5	1/2	207-21			
207-22	1-3/8													207-22			
207-23	1-7/16													207-23			
UCFL 208		40												UC 208			
208-24	1-1/2		6-7/8	5-11/16	13/16	19/32	1-13/32	5/8	3-15/16	2-1/64	1.937	0.748	M14	208-24	FL208	3.52	1.6
208-25	1-9/16		175	144	21	15	36	16	100	51.2	49.2	19	1/2	208-25			
UCFL 209		45												UC 209			
209-26	1-5/8		7-13/32	5-13/16	7/8	5/8	1-1/2	3/4	4-1/4	2-1/16	1.937	0.748	M16	209-26	FL209	4.18	1.9
209-27	1-11/16		188	148	22	16	38	19	108	52.2	49.2	19	5/8	209-27			
209-28	1-3/4													209-28			
UCFL 210		50												UC 210			
210-30	1-7/8		7-3/4	6-3/16	7/8	5/8	1-9/16	3/4	4-9/16	2-5/32	2.031	0.748	M16	210-30	FL210	4.84	2.2
210-31	1-15/16		197	157	22	16	40	19	116	54.6	51.6	19	5/8	210-31			
210-32	25													210-32			
UCFL 211		55												UC 211			
211-32	2		8-13/16	7-1/4	31/32	23/32	1-11/16	3/4	5-1/8	2-9/32	2.187	0.874	M16	211-32	FL211	6.82	3.1
211-34	2-1/8		224	184	25	18	43	19	130	58.4	55.6	22.2	5/8	211-34			
211-35	2-3/16													211-35			
UCFL 212		60												UC 212			
212-36	2-1/4		9-27/32	7-61/64	1-3/16	23/32	1-7/8	29/32	5-1/2	2-45/64	2.563	1.000	M20	212-36	FL212	8.80	4
212-38	2-3/8		250	202	29	18	48	23	140	68.7	65.1	25.4	3/4	212-38			
212-39	2-7/16													212-39			
UCFL 213		65												UC 213			
213-40	2-1/2		10-5/32	8-9/32	1-3/16	25/32	1-31/32	29/32	6-3/32	2-3/4	2.563	1.000	M20	213-40	FL213	11.00	5
			258	210	30	20	50	23	155	69.7	65.1	25.4	3/4				
UCFL 214		70												UC 214			
214-43	2-11/16		10-7/16	8-1/2	1-1/4	25/32	2-1/8	29/32	6-5/16	2-31/32	2.937	1.189	M20	214-43	FL214	12.32	5.6
214-44	2-3/4		265	216	31	20	54	23	160	75.4	74.6	30.2	3/4	214-44			
UCFL 215		75												UC 215			
215-47	2-15/16		10-13/16	8-55/64	1-11/32	25/32	2-7/32	29/32	6-1/2	3-3/32	3.063	1.311	M20	215-47	FL215	13.64	6.2
215-48	3		275	225	34	20	56	23	165	78.5	77.8	33.3	3/4	215-48			