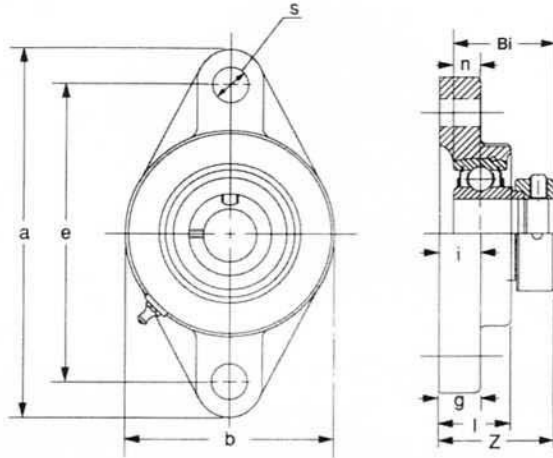


# BEARING UNITS



## TWO BOLT FLANGE UNITS SAFL 200 Series Light Duty Eccentric Collar Locking



BEARING UNITS

Unit No.	Shaft Dia.		Dimensions inch / mm										Bolt Size	Bearing No.	Housing No.	Weight Lbs / kg
	In.	mm	a	e	i	g	l	s	b	z	Bi	n				
SAFL 201-8 202-10	1/2 5/8		3-57/64 99	2-63/64 76	1/2 13	13/32 10	7/8 22	15/32 12	2-1/8 54	1-13/32 35.6	1.126 28.6	0.236 6.0	3/8 M10	SA 201-8 202-10	FL203	0.90 0.41
SAFL 204 204-12	3/4	20	4-7/16 113	3-35/64 90	19/32 15	7/16 11	1 25.5	15/32 12	2-3/8 60	1-17/32 39	1.220 31	0.276 7.0	3/8 M10	SA 204 204-12	FL204	0.95 0.43
SAFL 205 205-14 205-15 205-16	7/8 15/16 1	25	5-1/8 130	3-57/64 99	5/8 16	1/2 13	1-1/16 27	5/8 16	2-11/16 68	1-9/16 39.5	1.220 31	0.295 7.5	1/2 M14	SA 205 205-14 205-15 205-16	FL205	1.17 0.53
SAFL 206 206-17 206-18 206-19 206-20	1-1/16 1-1/8 1-3/16 1-1/4S	30	5-13/16 148	4-19/32 117	23/32 18	1/2 13	1-1/4 31	5/8 16	3-5/32 80	1-51/64 45.7	1.406 35.7	0.315 8.0	1/2 M14	SA 206 206-17 206-18 206-19 206-20	FL206	1.85 0.84
SAFL 207 207-20 207-21 207-22 207-23	1-1/4 1-5/16 1-3/8 1-7/16	35	6-11/32 161	5-1/8 130	3/4 19	19/32 15	1-11/32 34	5/8 16	3-35/64 90	1-15/16 49.4	1.531 38.9	0.335 8.5	1/2 M14	SA 207 207-20 207-21 207-22 207-23	FL207	2.77 1.26
SAFL 208 208-24 208-25	1-1/2 1-9/16	40	6-7/8 175	5-11/16 144	13/16 21	19/32 15	1-13/32 36	5/8 16	3-15/16 100	2-3/16 55.7	1.720 43.7	0.354 9.0	1/2 M14	SA 208 208-24 208-25	FL208	3.48 1.58
SAFL 209 209-26 209-27 209-28	1-5/8 1-11/16 1-3/4	45	7-13/32 188	5-13/16 148	7/8 22	5/8 16	1-1/2 38	3/4 19	4-1/4 108	2-7/32 56.2	1.720 43.7	0.374 9.5	5/8 M16	SA 209 209-26 209-27 209-28	FL209	4.40 2
SAFL 210 210-30 210-31 210-32	1-7/8 1-15/16 2S	50	7-3/4 197	6-3/16 157	7/8 22	5/8 16	1-9/16 40	3/4 19	4-9/16 116	2-3/16 55.7	1.720 43.7	0.394 10.0	5/8 M16	SA 210 210-30 210-31 210-32	FL210	4.95 2.25